



OBSTAFLASH COMPACT OFC

L-864 FAA (AC 150/5345-43H) pending
ICAO Red Medium intensity type B & C / CAA compliant (fixed mode)



Characteristics

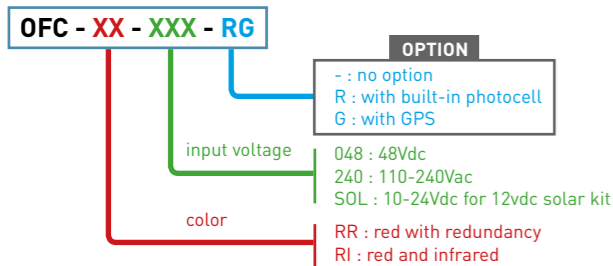
- Hard glass cover (no plastic) and aluminum based
- Easy installation with only captive parts
- 2 LED circuits in redundancy
- Adjustable flash 20 to 60 flashes per minutes (ICAO MI type B) or steady (CAA, ICAO MI type C)
- Alarm in case of light or power failure
- Low consumption
- Surge protection included
- "Night Vision compatible" in option as per Swiss directive and FAA regulation
- Photocell and GPS built-in in option

In option

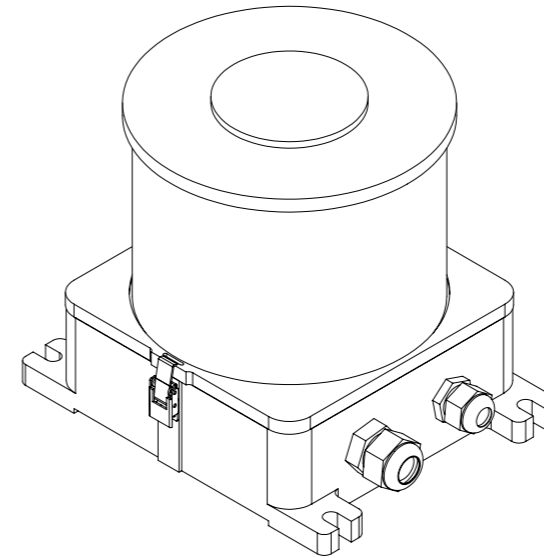


Night Vision Goggles compatible according to FAA & OFAC directive (Switzerland)

Product range OBSTAFLASH COMPACT OFC ICAO Red Medium intensity type B & C / L-864 / CAA / STAC



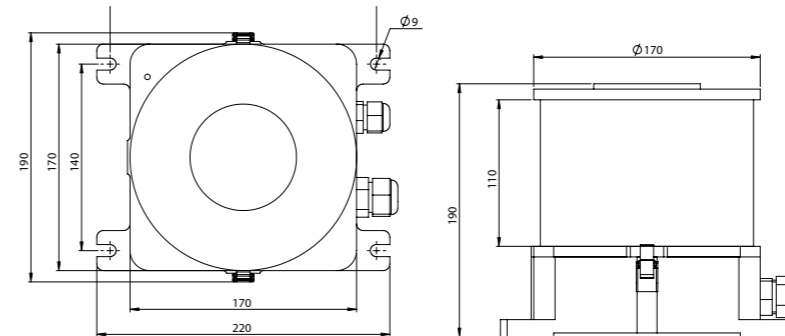
WEIGHT & DIMENSIONS (IN MM)



	OFC
IP degree	66
Operating temperature	-40°C to +55°C
Cable entries	2 nickel-plated brass
NVG compatible for OFC-RI	
IR intensity and wavelength	600mW/sr @ 800-900nm
Weight	5kg

ACCESSORIES

- Built in GPS for wireless synchronisation
- Built in Photocell for night only operation
- Optional wiring accessories
- junction box part number 113943-AL
- monitoring box for OFC & Navilite



MAIN REFERENCE FOR OFC-RR-XXX

designation	part number	Voltage	Color	Luminous intensity	Flashes per minute	Average power consumption
OFC-RR-048	113790RR-048	48Vdc	red	2000cd RMS	As per FAA/ICAO or fixed mode (MI type C, CAA)	6W
OFC-RR-240	113790RR-240	100-240Vac	red			6W
OFC-RR-SOL	113790RR-SOL	12-24Vdc	red		As per ICAO	3W @ 20fl/minute

MAIN REFERENCE FOR OFC-RI-XXX

designation	part number	Voltage	Color	IR intensity and wavelength	Luminous intensity	Flashes per minute	Average power consumption
OFC-RI-048	113790RI-048	48Vdc	red	600mW/sr @ 800-900nm	2000cd RMS	As per FAA	7W
OFC-RI-240	113790RI-240	100-240Vac	red				7W