



KIT OBSTAFLASH OFI360 110-240 Vac

L-865/864 FAA (AC 150/5345-43H) Certified
ICAO white & red Medium intensity type A+B & C / CAA compliant (fixed mode)



Flashhead with integrated 48VDC power supply
Patent : EP 1966535B1 & US 7816843

Flashhead

- 6 led replaceable projectors
- Aluminium and glass envelope
- Modular design
- Easy maintenance
- Precise optic , low led current for optimal lifetime
- Integrated 48 VDC power supply inside the flashhead
- Luminous indicator for each led circuits
- Captive parts
- 48 Vdc surge protection included
- Test button and luminous indicators



120-230 VAC Power cabinet

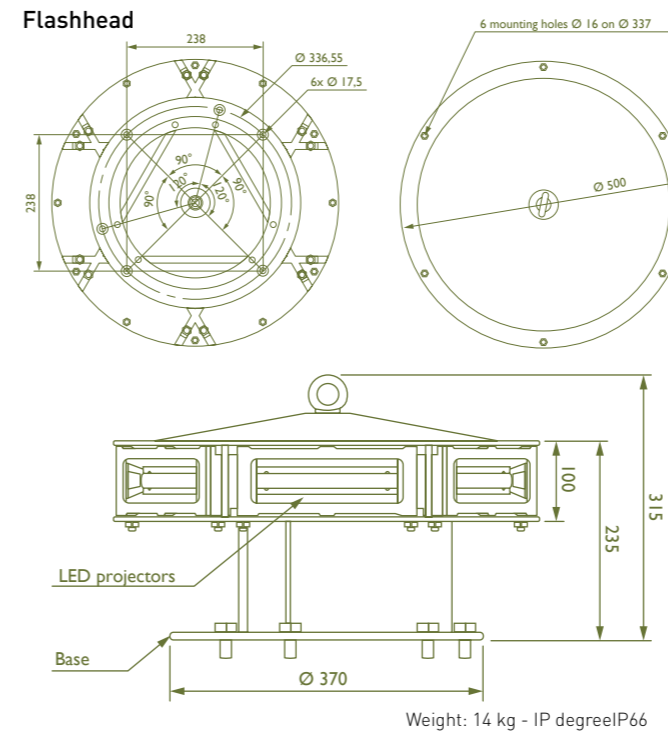
- Available in 120 /230 Vac
- Surge protection
- Automatic day/night switch with photocell
- Test button for day and night
- Modular design
- Two side lights in option, low intensity type
- Alarm contact
- Master/slave configuration for multiple lights synchronization

Product range OBSTAFLASH OFI360
Obstafash Medium intensity with 48Vdc integrated power supply
ICAO White and Red Medium Intensity type A and B & C / CAA /STAC

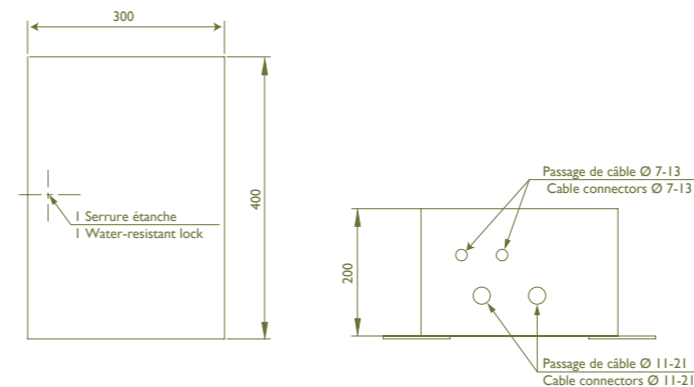
OFI360 - XX - XXX - U

- : ICAO
- U : ICAO + FAA L-865/L-864
- input voltage
- 048 : 48Vdc
- 240 : 110-240Vac with additional cabinet at bottom
- color
- RW : red at night and white during daytime**
- WW : white day and night**
- RIW : red/infrared at night and white during daytime*
- R : red at night
- W : white during day time only, off at night*
- FW : white during day and feuer-W-rot at night*
- * : not available with FAA

WEIGHT & DIMENSIONS (IN MM)



Control cabinet



SETS COMPOSTION

IP degree for power cabinet	65 in vertical position
Operating temperature	-30° to +55°C
Input voltage	110 VAC to 240 VAC +/-10% 50 to 60 Hz
Cable entry for flashhead, power supply, photocell and alarm	4 nickel plated brass

ACCESSORIES

- GPS module for wireless synchronization in case it is not possible to connect the lights by wires part number 113746, see page 55
- Photocell part number 100755, see page 52



MAIN CHARACTERISTICS

Main characteristics	Effective Luminous output on site at 0°		Color		Beam Spread		Flashes per minute
	Day	Night	Day	Night	Vertical	Horizontal	
Red only (L864)	light off	2000 Cd	light off	Red	> 3°	360°	As per ICAO or FAA
White only (L865)	20 000 Cd	2000 Cd or off	White	White or off			
Dual color (L865/L864)	20 000 Cd	2000 Cd	White	Red			

MAIN REFERENCE

Designation	part number	input voltage	ICAO category	FAA category	Color
OFI360-RW-240-U	113725UI	110-240Vdc	Medium intensity type A & B	L-865/L-864	dual color
OFI360-WW-240-U	113723UI		Medium intensity type A	L-865	white
OFI360-RW-240	113725I		Medium intensity type A & B or C	-	dual color
OFI360-WW-240	113723I		Medium intensity type A	-	white
OFI360-R-240-U	113724I		Medium intensity type B (or C, CAA)	L-864	red