



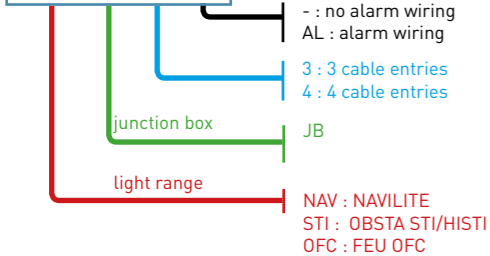
NAVILITE

Monitoring and control boxes offered with the NAVILITE are designed for an easy use and installation follow up on the complete obstruction lights system.

Junction box for NAVILITE, OBSTA STI and OFC



NAV - JB - 3 - AL



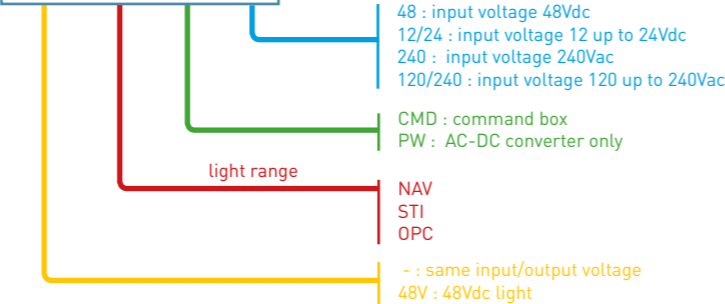
Main characteristics

- Polycarbonate box
- Junction box for 1 or 2 NAVILITE to power cable
- Suitable for all voltage
- 3 cable entries
- Terminals connections for the wires

Command box or power supply for NAVILITE



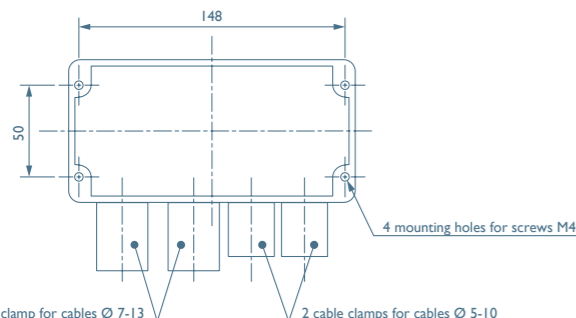
48V - NAV - CMD - 48



Main characteristics

- Polycarbonate box
- With or without transparent cover
- Control of Navilite :
 - Redundancy wiring (one main light and one backup light) or wiring for 2 lights working simultaneously
 - Integrated photocell switch to automatically pass the system from night/day mode.
 - Alarm monitoring in case of lights or power supply failure
 - Switch from main light to backup one in case of failure
 - Blinking mode possible (Low intensity type E, L-810(F))
- Configuration by dip switches

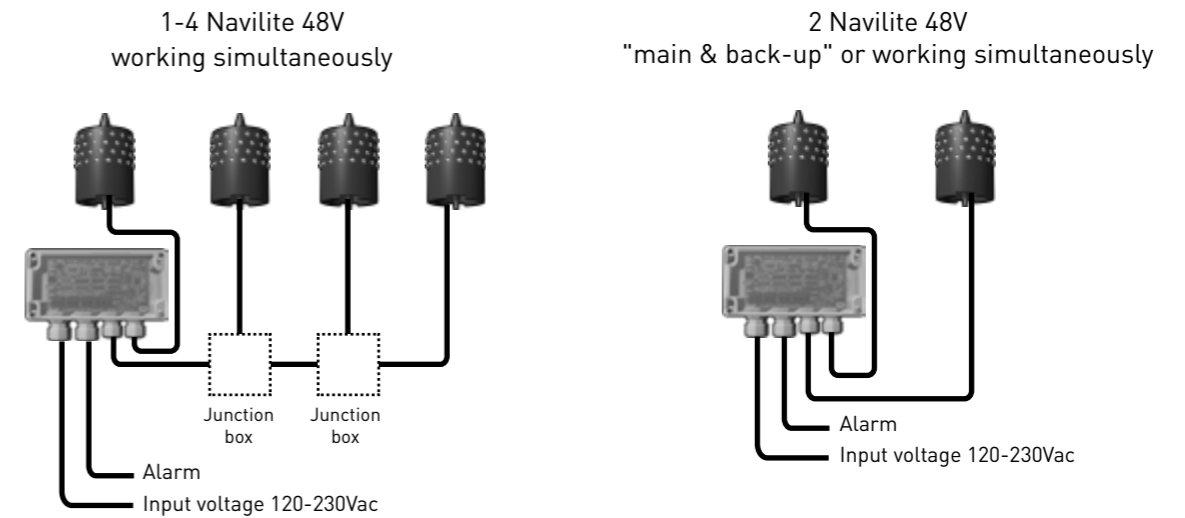
WEIGHT & DIMENSIONS



IP degree (in vertical position)	65
Power Cable diameter	from 7 to 13 mm
Wire cross section	from 1 to 2.5 mm ²
Attachment	4 screws type M4

The number of cable entries are mentioned below

TYPICAL CONFIGURATION : 1-4 NAVILITE-48V WITH COMMAND BOX

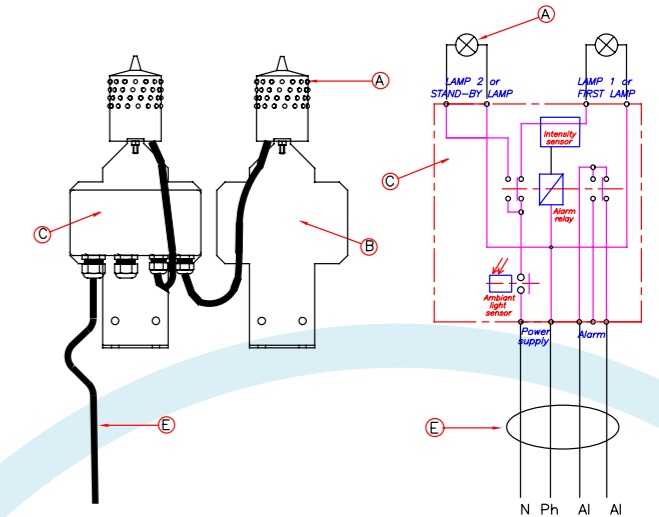


TYPICAL CONFIGURATION : 2 NAVILITE-48V IN REDUNDANCY WITH COMMAND BOX

Nomenclature / Bill of materials			
Reference	Quantity	Part number	Designation
A	2	113905	A type Navilite 48VDC
B	2	113920	Navilite bracket
C	1	113940 or 113912	Command box
E	-	-	4x1.5 flexible cable

Cable must be shielded when used in electro-magnetic fields

- Alarm conditions :
- Low intensity of the lamp(s)
 - Short-circuit of the lamp(s)
 - Power supply failure



Command box for navilite 48 Vdc and NAVILITE-SOL

Designation	part number	input voltage	Number of lights	main and back-up	simultaneously	alarm	remote alarm
NAV-CMD-48	113940	48VDC	1-2 Navilite-48V	yes	yes	yes	yes
NAV-CMD-12	113942	obsta solar kit	2 Navilite-SOL	yes	no	no	no
48V-NAV-CMD-100/240*	113912	100-240VAC	1-4 Navilite-48V	yes	yes	yes	yes
NAV-CMD-48-B*	113915	48VDC	1-4 Navilite-48V	yes	yes	yes	yes

* These command box include additional features (blinking mode, synchronisation with red medium intensity).

Power supply for navilite 48 Vdc

Designation	part number	input voltage	Number of lights	main and back-up	simultaneously	alarm	remote alarm
48V-NAV-PW-240	113911	230VAC	1-4 Navilite-48V	no	yes	no	no

Junction box

Designation	part number	voltage	Number of cable entries	Alarm wiring
NAV-JB-3	113943	all	3	No
NAV-JB-3-AL	113943-AL	all	3	Yes