

# KIT OFP-360 with complete remote power supply

The led OBSTAFLASH medium intensity is a white, red or dual color flashing obstruction light with complete power supply in the cabinet.

The OBSTAFLASH is compliant with ICAO medium intensity type A and B/C, FAA L864/L865 flashing lights. Certified by Intertek (AC 15015345-43H).



Patent : EP 1966535B1 & US 7816843



### Flashhead

- 6 led projectors
- Aluminium and glass envelope
- Modular design
- Easy maintenance
- Precise optic
- Connectors for dual color or white only on each projector and interconnecting cable

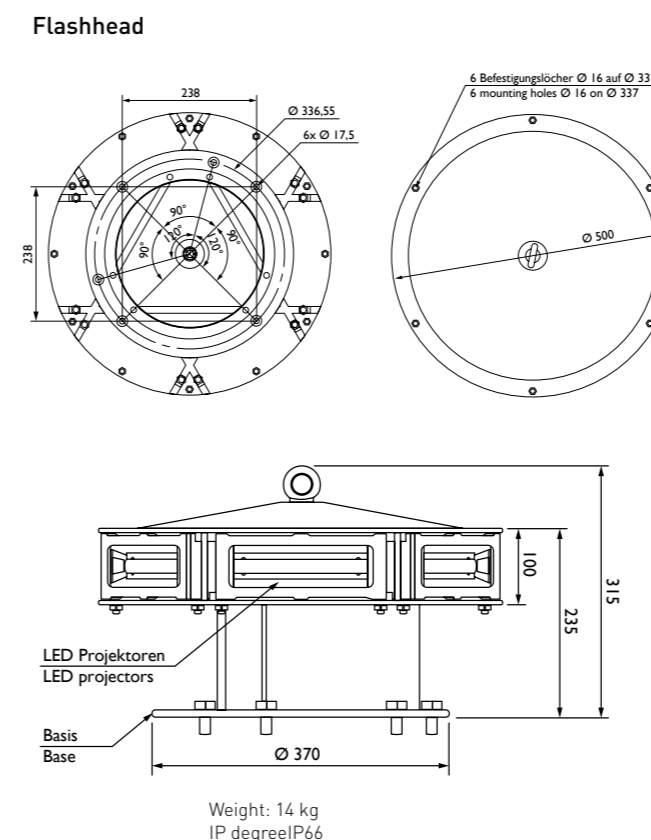
### Description

- Rugged design
- Easy installation
- No need of special tools to change a projector

### Power cabinet

- Available in 48 Vdc or 120 /230 Vac
- Surge protection
- Automatic day/night switch with photocell
- Luminous indicator for each led circuits
- Test button for day and night
- Modular design
- Two side lights in option low intensity type
- Alarm contact
- Master/slave configuration for multiple lights synchronization

### WEIGHT & DIMENSIONS (IN MM)



### SETS COMPOSTION

Obstruction lighting system Medium intensity kit	Part number
Flashhead + Control cabinet	113720, 113722, 113723U, 113725U
Connecting cable between flashhead and control cabinet	113762 LX for dual color or white only ( X in meters)
48 VDC photocell	100755

Operating temperature	-30 up to +55 °C
Power cabinet	IP65 in vertical position
Input Voltage	110 Vac to 240 Vac 50/60Hz or 48V+/-10%

### ACCESSORIES

- GPS module for wireless synchronization in case it is not possible to connect the lights by wires part number 113746, see page 55
- Photocell part number 100755, see page 52

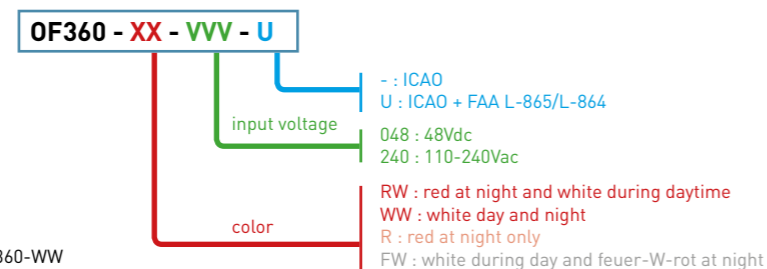
Main characteristics	Effective Luminous output on site at 0°		Color		Beam Spread		Flashes per minute
	Day	Night	Day	Night	Vertical	Horizontal	
<b>Red only (L864)</b>	light off	2000 Cd	light off	Red	> 3°	360°	As per ICAO or FAA
<b>White only (L865)</b>	20 000 Cd	2000 Cd or off	White	White or off			
<b>Dual color (L865/L864)</b>	20 000 Cd	2000 Cd	White	Red			

### MAIN CHARACTERISTICS

Designation	OBSTA part number (Flashhead + stainless cabinet)	Main characteristics	Power supply	Average power consumption at 40 flashes/minute
<b>OF360-WW-048</b>	<b>113720</b>	White only	48 V	55 W
<b>OF360-RW-048</b>	<b>113722</b>	Dual color	48 V	55 W
<b>OF360-WW-240-U</b>	<b>113723U</b>	White only	120/230 Vac	55 W
<b>OF360-RW-240-U</b>	<b>113725U</b>	Dual color	120/230 Vac	55 W



### Product range OBSTAFLASH OF360 Obstaflash Medium intensity+ complete remote power supply Kit ICAO White and Red Medium intensity type A and B & C / CAA / STAC



Interconnecting cable for OF360-RW or OF360-WW (cabinet to flashhead) :  
CABLE-OFP-6P-RW-XS

X : lenght in meter

