



NAVILITE RI

Led low intensity type A and B + infrared



NAVILITE-RI-48V-cable



Night Vision Goggles compatible according to OFAC directive (Switzerland)

One-piece molded

- perfectly waterproof
- no corrosion risk
- no rise from the ground potential (due to lightning for example)
- bird spike

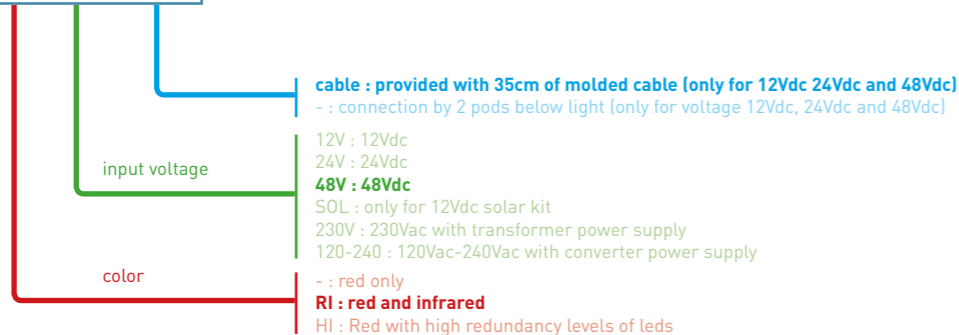
LED light

- Total 64 red diodes + 64 infrared diodes
- 2x 16 circuits of 4 LEDs
- LED wiring 4 by 4 in active redundancy @ 90°
- molding provides perfect support of the LED inclination angle
- 2 independent circuits for red and infrared

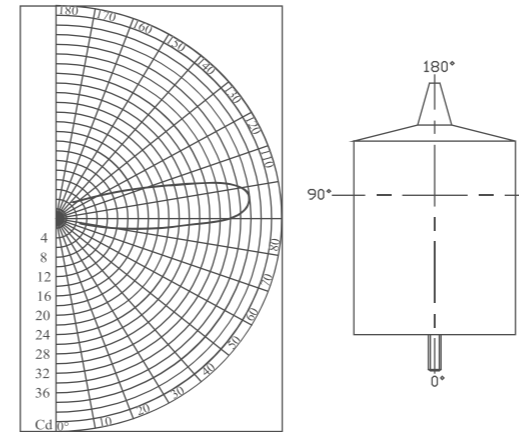
Power supply

- Continuous current 12, 24 and 48 VDC
- optional 230VAC command box for infrared leds blinking mode.

NAVILITE - XX - XXX - cable



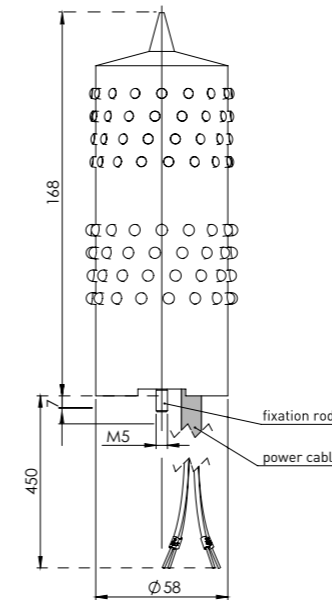
LIGHT INTENSITY DIAGRAM



	NAVILITE Type B
IP degree	66
Operating temperature	-40° + 55°C
Power supply	12, 24, 48 VDC (+/-10%)
Light weight	0.92kg (excluding fixing bracket*)
Attachment	by screw M5 (provided)
Maintenance	none

* The weight of the fixing bracket is 0.75kg

DIMENSIONS (IN MM)



ACCESSORIES

- Stainless bracket part number 113920
- Stainless bracket part number 113925
- Optional accessories
- junction box part number 113943-AL
- 100-240Vac command box part number 113912 for infrared blinking mode
- 48Vdc command box part number 113915 for NAVILITE infrared blinking mode



MAIN REFERENCE

	Designation	part number	Power supply	Luminous intensity	IR intensity and wavelength	Nominal power	Theoretical lifetime*
cable	NAVILITE-RI-48V-cable	113905RI	48 VDC	> 32 Cd	150mW/sr @ 850nm	< 12 W	decades

* given by LED manufacturer