



OFP-180 with complete remote power supply

The led OBSTAFLASH medium intensity is a white, red or dual color flashing obstruction light with complete power supply in the cabinet. The OBSTAFLASH is compliant with ICAO medium intensity type A and B/C.



Patent : EP 1966535B1 & US 7816843

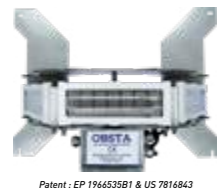


2 or more Flashhead around obstacle

- 3 led projectors per flashhead
- Aluminium and glass envelope
- Modular design
- Easy maintenance
- Precise optic
- All electronic in stainless cabinet

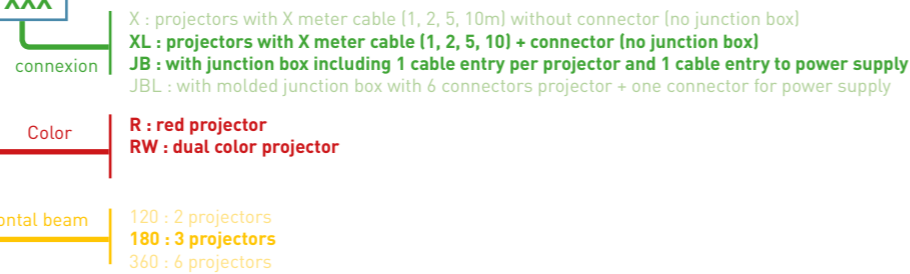
Power cabinet

- Available in 48 Vdc or 120 /230 Vac
- Surge protection
- Automatic day/night switch with photocell
- Luminous indicator for each led circuits
- Test button for day and night
- Modular design
- Two side lights in option low intensity type
- Alarm contact
- Master/slave configuration for multiple lights synchronization



Patent : EP 1966535B1 & US 7816843

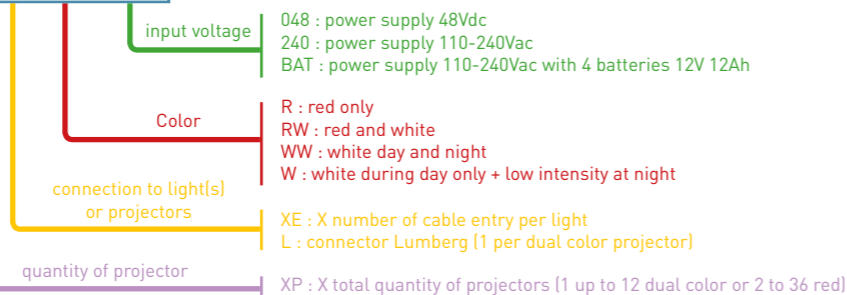
OFP - 180 - XX - XXX



CABLE-OFP - 3P - XX - X

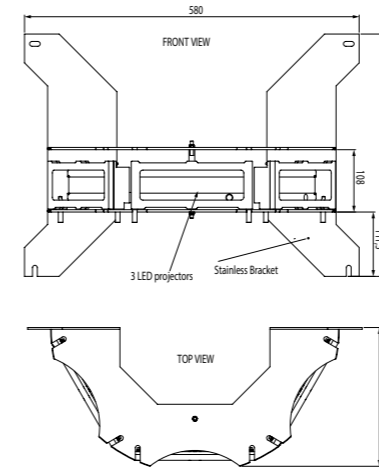


OFP-CAB - XP - XE - XX - XXX



WEIGHT & DIMENSIONS (IN MM)

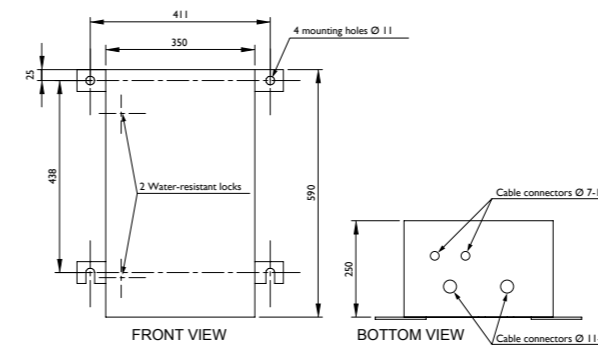
OFP-180



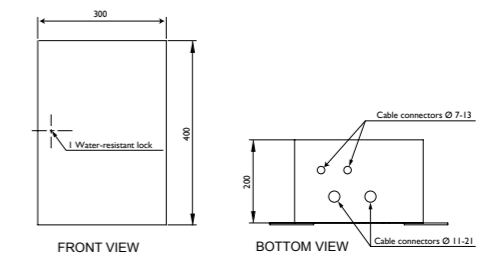
Weight: 14 kg, IP degree IP66



Power cabinet for 3 to 4 flashheads OFP-180-RW



Power cabinet for 2 flashheads OFP-180-RW and 2 to 12 flashheads OFP-180-R



MAIN CHARACTERISTICS

Main characteristics	Effective Luminous output on site at 0°		Color		Beam Spread		Flashes per minute
	Day	Night	Day	Night	Vertical	Horizontal	
Red only	light off	2000 Cd	light off	Red	> 3°	360° with 2 flashheads minimum	As per ICAO
White only	20 000 Cd	2000 Cd or off	White	White or off			
Dual color	20 000 Cd	2000 Cd	White	Red			

MAIN REFERENCE

Dual color obstruction lighting system type A+B/C (or white only)	Designation	Part number
2 to 4 Flashheads with stainless junction box	OFP-180-RW-JB	113738
Connecting cable between flashhead and power cabinet	CABLE-OFP-3P-RW	113805
Power cabinet	OFP-CAB-XP-XE-RW-XXX	See p 53 for designation

Red only obstruction lighting system type B/C	Designation	Part number
2 to 12 Flashheads with stainless junction box	OFP-180-R-JB	113745
Connecting cable between flashhead and power cabinet	CABLE-OFP-3P-R	113160
Power cabinet	OFP-CAB-XP-XE-R-XXX	See p 53 for designation