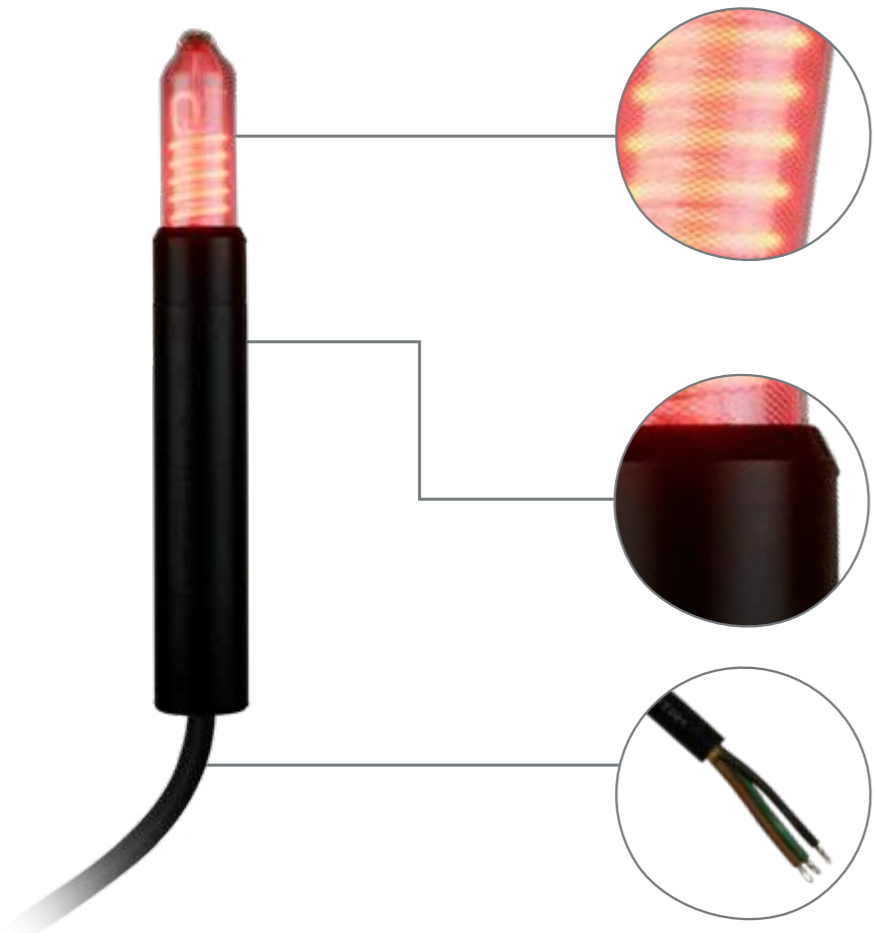




OBSTA STI 48 Vdc

The OBSTA STI is devoted to the marking of all kind of obstacles supplied by a standalone DC power source in 48V.



Neon light

- 5 turns
- hard glass cover and tube
- «aviation» red color
- very long life expectancy in all climatic environment
- great light efficiency
- luminosity substantially higher than what is recommended by ICAO and FAA
- low power consumption

One-piece molded

- perfectly waterproof
- no grounding issue
- all wiring configuration available
- no rise from the ground potential (due to lightning for example)
- increased reliability

Power cable

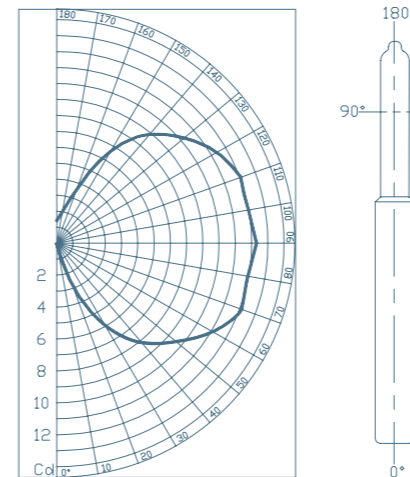
- continuous Voltage
- power by a backup power source for continuity of the marking (batteries)
- protected against transient voltages
- integrated self diagnostic of the light (control of a remote signalization or a backup light possible)

Product range STI Low intensity cold neon discharge 10CD

OBSTA STI - F

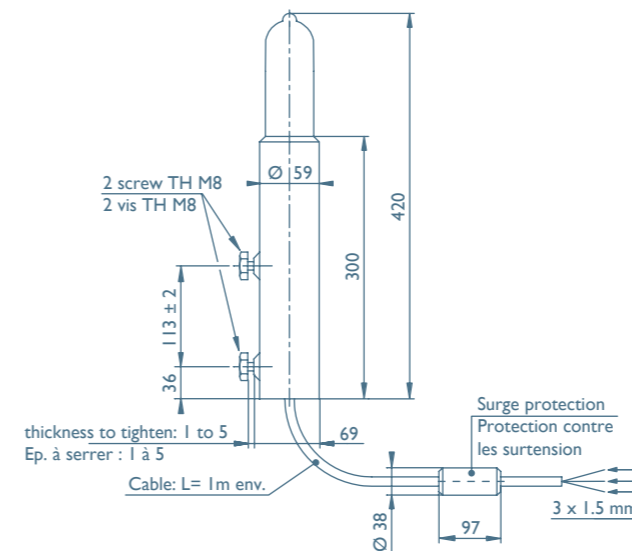
-- : 48V
F : 12V

LIGHT INTENSITY DIAGRAM



	STI
IP degree	66
Operating temperature	-20° + 60°C
Power supply voltage	48 V [-10% ; + 15%]
Weight	1.5 kg
Attachment	2 screws type M8 (provided) Thickness to screw into : 1 à 5 mm
Wiring	On stripped wires (2 power wires, 2 alarm wires)

DIMENSIONS (IN MM)



SPECIAL PRECAUTIONS

For chimney installation, install the light under the top (1.5 to 3m, 5 to 10ft), as per ICAO and FAA recommendations.
For installation in intense electromagnetic fields, the use of shielded wire is highly recommended.

OTHER FUNCTIONS

- Failure remote signalization by relay (see diagram)
- «Active Redundancy» configuration allows the automatic turn on of a backup light and/or of an alarm in case of failure of the main light. (see diagram)
- Photocell controlled
- Light shielded as per standard EN 55011, class B
- Junction box (ref. 113140)
- Stainless steel mounting bracket (ref. 113121 for one light and 113124 for two lights)
- Solar generator (see page 53)
- Connection accessories (see page 32)

MAIN REFERENCE

Designation	part number	Power supply	Luminous intensity	Current consumption	Nominal power	Lifetime (without any light decrease*)
OBSTA-STI-48V	113200	48 V continuous	> 10 Cd	250 mA	12W	decades

Other voltage : 12 and 24 V : consult us
* with power supply stabilize

